

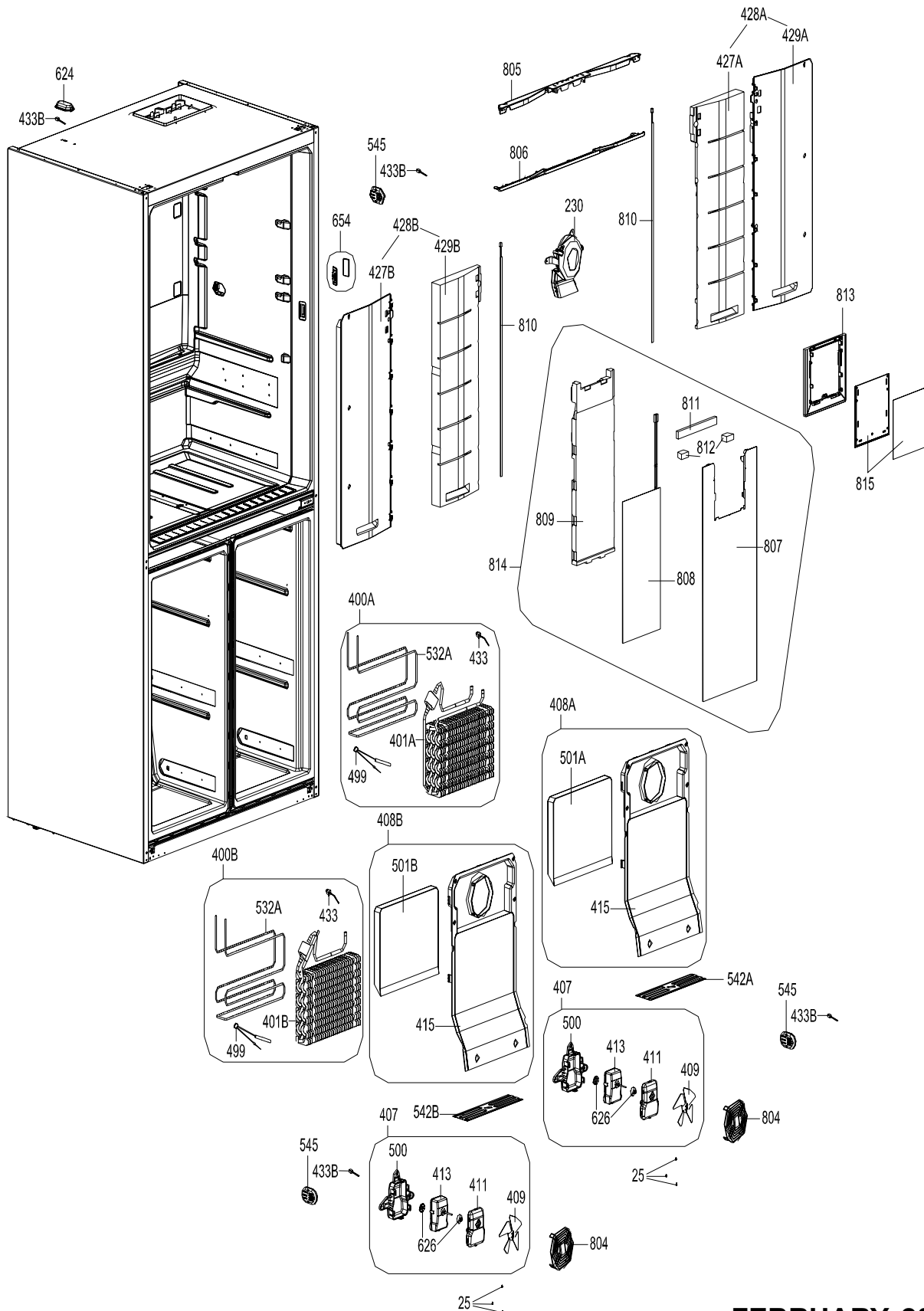


FRENCH DOOR - 910
INTERIOR PARTS LIST

**CUSTOMER
SUPPORT**

POSITION NUMBER	PART NAME	POSITION NUMBER	PART NAME
1	ASSY URT CAB/910	339	CHILLER SHELF GR/910
2A	TOP HINGE RIGHT 910	342	CHILLER SHELF/910
2B	TOP HINGE LEFT 910	618	SCREW 30*8 YSB-F-INOX
7	SCREW M5*14 YSB-F	642	FRONT WHEEL 566 GR.
9A	MIDDLE HINGE /910 RIGHT	651	CHILLER RAIL INTERNAL 350 910
9B	MIDDLE HINGE /910 LEFT	652	CHILLER RAIL INTERNAL 350 910
10	SCREW TT M5*14 YSB-F	653	SCREEW M4*15 YSB-F
16	STATIONARY FOOT/640	704	CRISPER TOP
15A	BOTTOM HINGE/910 RIGHT	710	NIGHT SENSOR
15B	BOTTOM HINGE/910 LEFT	713	CRISPER-CHILLER SHELF GR/910
18	ICE TRAY/566	714	CRISPER-CHILLER SHELF/910
19A	F GLASS SHELF/910	718	CHILLER PRF SRGF/910
19B	F WIRE SHELF/910	720	BOTTOM BASK./910
25	SCREW 40*13 YSB-R-C-INOX	721	BASKET PRF 910 GR.
37	R GLASS SHELF/910	722	BOTTOM BASK.GR/910
41A	CRISPER/910 RIGHT	724	TOP BASK./910
41B	CRISPER/910 LEFHT	725	TOP BASK.GR/910
42	CRISPER PRF SRGF/910 IX	753	CRIS.RAIL OUT (RIGHT)910
58	KICK PLATE HOLDER	753B	FRZ.BASKET ROLLER RAIL/TOP-RIGHT(910)
60	KICK PLATE/910	753C	FRZ.BASKET ROLLER RAIL/BOTTOM-RIGHT(910)
62	ICE TRAY COVER	754	CRIS.RAIL OUT (LEFT)910
88	TOP HINGE COVER/910 RIGHT	754B	FRZ.BASKET ROLLER RAIL/TOP-LEFT(910)
88A	TOP HINGE COVER/910-GR RIGHT	754C	FRZ.BASKET ROLLER RAIL/BOTTOM-LEFT(910)
88B	TOP HINGE COVER/910 LEFT	800	TRIZ BAR GR/910
213	SCREW 4.2*9.5 YSB-C	803	CRISPER TOP SHELF WHEEL PIN/910
332A	CRISPER GR/910 RIGHT	816	CRSIPER PARTITION GR/910
332B	CRISPER GR/910 LEFTT	817	CRSIPER PARTITION/910
333	CRISPER ROLLER/640	820	TOP HINGE COVER/910 LEFT
333B	CRISPER ROLLER/910	821	TOP HINGE COVER/910 RIGHT
334	CRISPER ROLLER HOLDER	835	F GLASS SHELF STOPPER RIGHT/910
		836	F GLASS SHELF STOPPER LEFT/910

FEBRUARY 2014





FRENCH DOOR - 910

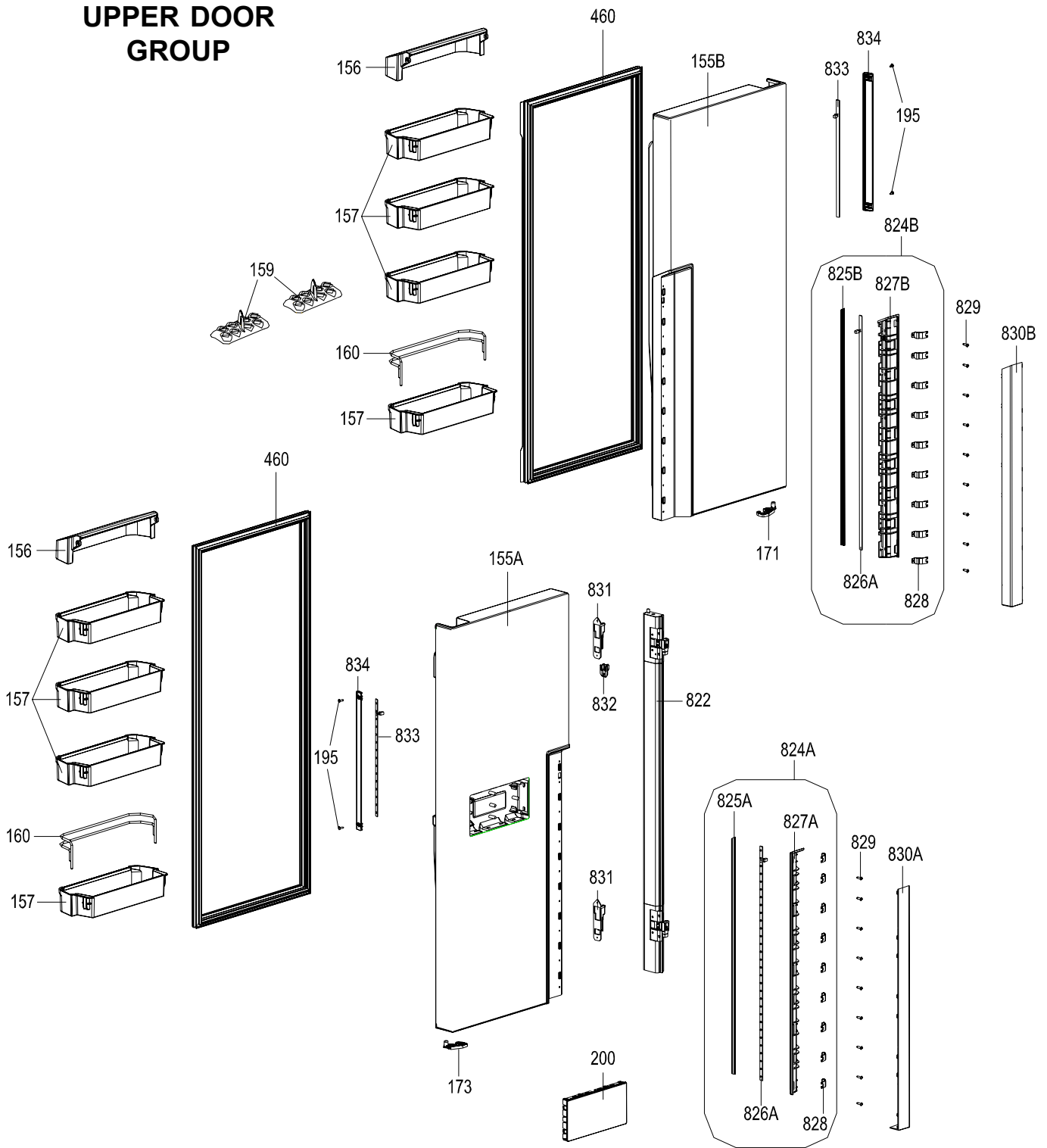
**CUSTOMER
SUPPORT**

MULTIFLOW PARTS LIST

POSITION NUMBER	PART NAME
25	SCREW 40*13 YSB-R-C-INOX
230	FAN MOTORU RADYAL-RLS92
407	F FAN MOTOR GR
409	PROPELLER/590(F.FAN MOTOR)
400A	FIN EVAP GR/910-RIGHT
400B	FIN EVAP GR/910-LEFT
401A	FIN EVAP ASSY/910(3 LINE)
401B	FIN EVAP ASSY/910(2 LINE)
408A	F MULTIFLOW GR/910 RIGHT
408B	F MULTIFLOW GR/910 LEFTT
411	F FAN MOTOR COVER
413	EVAP FAN MOTOR
415	F MULTIFLOW COVER/910
427A	R MULTI FLOW INSULATION RIGHT/910
427B	R MULTI FLOW INSULATION LEFT/910
428A	R MULTIFLOW GR/910 RIGHT
428B	R MULTIFLOW GR/910 LEFT
429A	R MULTIFLOW/910 RIGHT
429B	R MULTIFLOW/910 LEFT
433	DEFROST SENSOR/540
433B	AMBIENT SENSOR
499	TERMAL FUSE
500	F FAN MOTOR BOX/590UHS
501A	R MULTI FLOW INSULATION/910 (3 LINE)
501B	R MULTI FLOW INSULATION/910 (2 LINE)
532A	FIN EVAP RES/910 (3 LINE 105W)
532B	FIN EVAP RES/910 (2 LINE 80W)
542A	FIN EVAP CASE RES-RIGHT/20W 910
542B	FIN EVAP CASE RES-LEFT/20W 910
545	SENSOR COVER
624	HOLDER-SENSOR
626	FREEZER FAN MOTOR RUBBER
654	REED SWITCH GR
804	F MULTI FLOW SUCTION COVER/910
805	R MULTI FLOW ASSY PLS-TOP/910
806	R MULTI FLOW ASSY PLS-BOTTOM/910
807	R MULTI FLOW METAL SHEET/910
808	R MULTI FLOW RES./12V-3W/910
809	R MULTI FLOW TOP INSULATION
810	LED STRIP/FRIDGE BODY/910
811	MULTI FLOW SPONGE MIDDLE/910
812	MULTI FLOW SPONGE RIGHT-LEFT/910
813	R MULTI FLOW BACK/910
814	R MULTI FLOW METAL SHEET GR/910
815	R MULTI FLOW FRONT GR/910

FEBRUARY 2014

UPPER DOOR GROUP





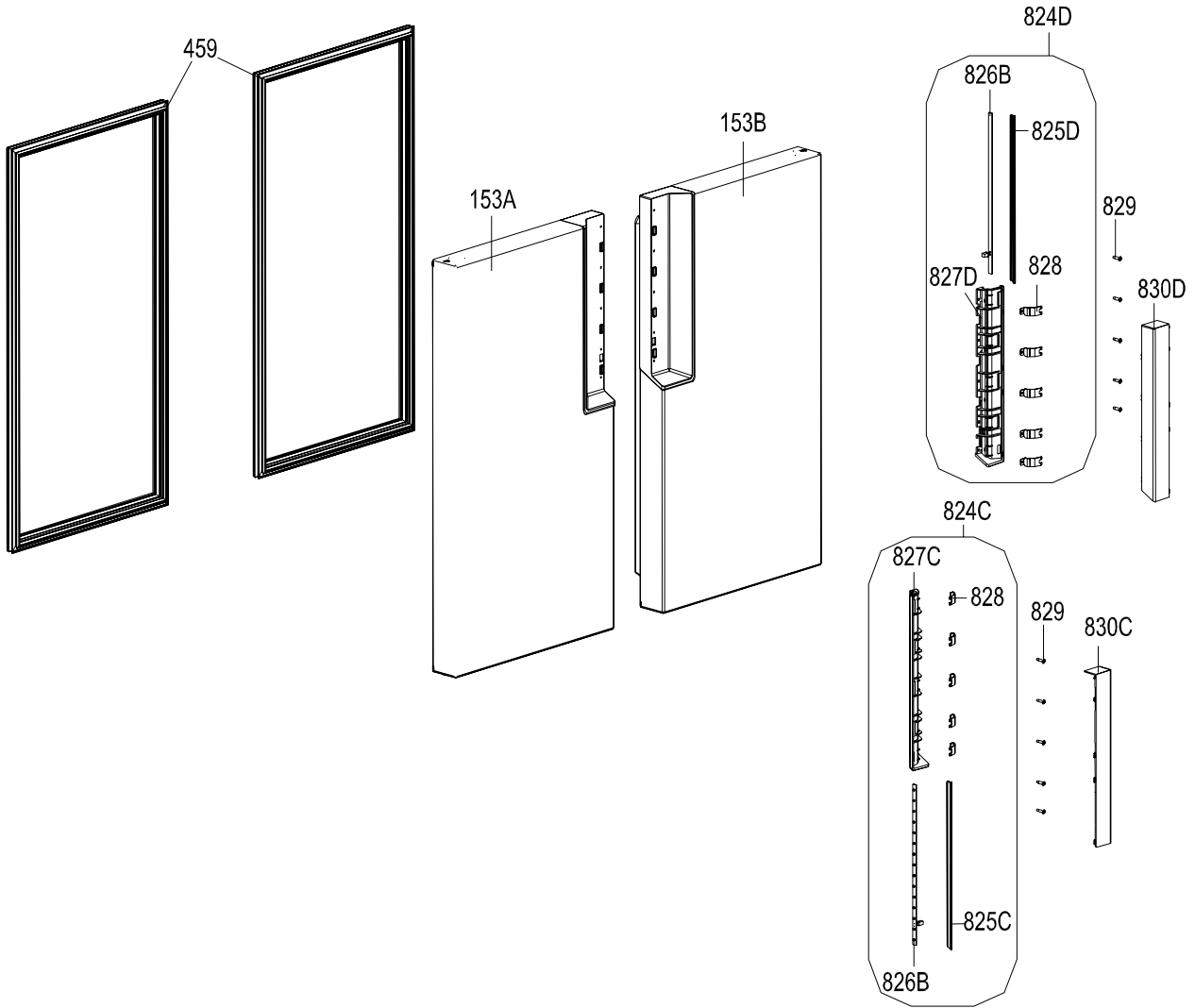
WHITE GOODS

FRENCH DOOR - 910

DOOR ASSY. PARTS-2

CUSTOMER
SUPPORT

**BOTTOM
DOOR GROUP**



FEBRUARY 2014



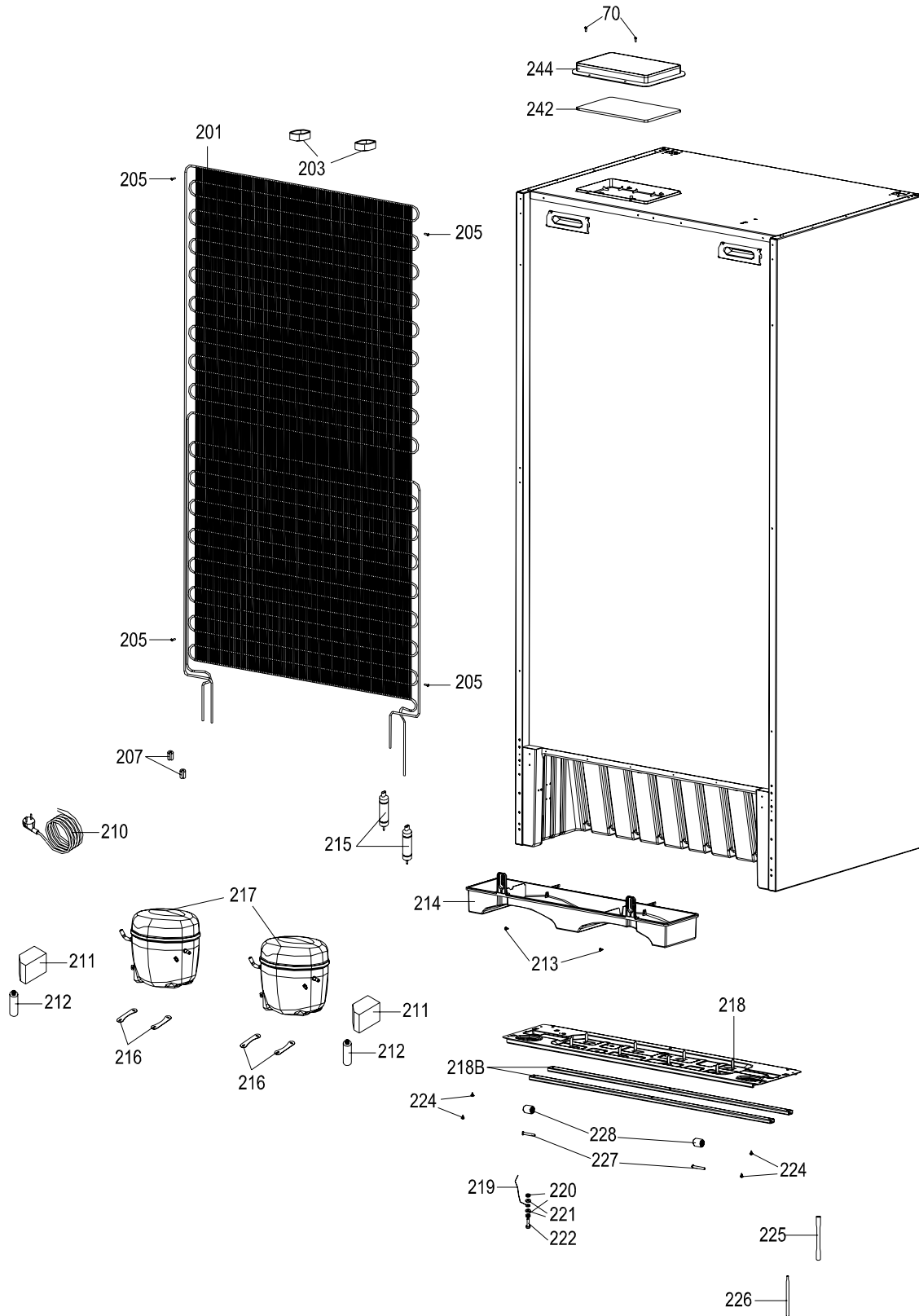
FRENCH DOOR - 910

**CUSTOMER
SUPPORT**

DOOR ASSY. PARTS LIST

POSITION NUMBER	PART NAME
153A	F DOOR ASSY/910-FD-LEFT
153B	F DOOR ASSY/910-FD-RIGHT
155A	R DOOR ASSY/910-FD-LEFT
155B	R DOOR ASSY/910-FD-RIGHT
156	SHELF COVER/910
157	DOOR SHELF/910 GR.
159	EGG HOLDER
160	DOOR SHELF 910
171	CATCHER RIGHT GR/910
173	CATCHER LEFT GR/910
195	SCREW ST 3.5*13 OZEL1-C
200	DISP.PAN.GR/910
459	F DOOR GASKET/910
460	R DOOR GASKET/910
822	TRIZ BAR GR.910
824A	DOOR HANDLE BOTTOM GR/TOP-LEFT/910
824B	DOOR HANDLE BOTTOM GR/TOP-RIGHT/910
824C	DOOR HANDLE BOTTOM GR/BOTTOM-LEFT/910
824D	DOOR HANDLE BOTTOM GR/BOTTOM-RIGHT/910
825A	DOOR HANDLE LED LENS TOP/LEFT/910
825B	DOOR HANDLE LED LENS TOP/RIGHF/910
825C	DOOR HANDLE LED LENS BOTTOM/LEFT/910
825D	DOOR HANDLE LED LENS BOTTOM/RIHT/910
826A	LED STRIP/REF DOOR HANDLE/910
826B	LED STRIP/REF DOOR INSIDE/910
827A	DOOR HANDLE BOTTOM/TOP-LEFT/910
827B	DOOR HANDLE BOTTOM/TOP-RIGHT/910
827C	DOOR HANDLE BOTTOM/BOTTOM-LEFT/910
827D	DOOR HANDLE BOTTOM/BOTTOM-RIGHT/910
828	DOOR HANDLE SUPPORT SHEET GR/910
829	SCREW TT M4*17 OZEL2-C
830A	DOOR HANDLE COVER TOP/LEFT/910
830B	DOOR HANDLE COVER TOP/RIGHT/910
830C	DOOR HANDLE COVER BOTTOM/LEFT/910
830D	DOOR HANDLE COVER BOTTOM/RIGHT/910
831	HINGE SOCKET HOUSING/910
832	HINGE HOUSING COVER/910
833	LED STRIP GR./REF.DOOR INSIDE GR/910
834	LED COVER (DOOR INSIDE)910

FEBRUARY 2014





FRENCH DOOR - 910

COOLING SYSTEM PARTS LIST

**CUSTOMER
SUPPORT**

POSITION NUMBER	PART NAME
70	SCREW KA 40*14 YSB-R-F-INOX
201	MAIN CONDENSER/910
203	SPACER
205	SCREW ST 4.8*13 YSB-T-C
207	ANTIVIBRATION (CONDANSER)
210	POWER COR.GR
211	OVER LOAD RELAY
212	CAPACITOR
215	DRYER
216	COMP FIXING BRACKET
217	COMPRESSOR
218	COMP BASEMENT /910
219	GROUNDLY WIRE/PGYB
220	NUT M4*3.2 DIN 934 ZNK
221	WASHER 4.3*8*0.9 DIN 6798 ZNK
222	SCREW M4*16 AKB-F
224	SCREW KA 50*14 YSB-F
225	SERVICE TUBE
226	DRYER VACUUM TUBE
227	FRONT/BACK WHEEL
228	REAR WHELL PIN
242	MAIN BOARD/910
244	MAIN BOARD BOX COVER/910
218B	COMP BASEMENT REINFORCEMENT/910

FEBRUARY 2014